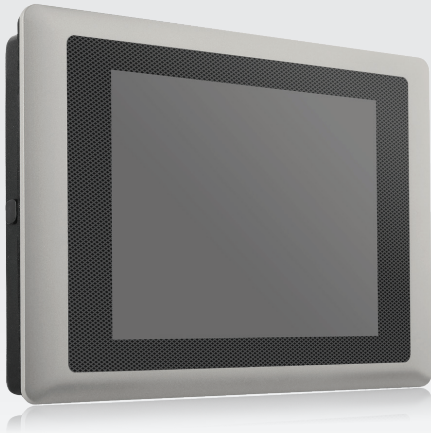


CV-108

8.4" TFT SVGA 4:3 Display Module with Resistive 5-wire Touch / Projected Capacitive Touch



Key Features

- 8.4" SVGA TFT 4:3 LCD with Resistive 5-wire Touch / Projected Capacitive Touch
- 30,000 hrs LED Backlight Life
- Resolution up to 800 x 600 (SVGA)
- 400 nits Brightness
- Designed with Aluminum Die-cast Front Frame
- IP 65 Compliant Front Panel
- Convertible Display System (CDS) Supported

»» Overview

CV-108 is 8.4" LCD display module with resistive 5-wire / projected capacitive touch screen. It offers resolution up to 800x600 (SVGA) and 400 nits brightness. CV-108 features flat surface and IP65 dust/waterproof front panel. In addition, designed with aluminum die-cast front frame, it is rugged and reliable for industrial environment. With support for Convertible Display System (CDS) technology, CV-108 allows you to configure, upgrade and maintain your Convertible Display System easily.

»» Specifications

Display

- LCD Size: 8.4" (4:3)
- Max. Resolution: 800 x 600
- Brightness (cd/m2): 400
- Contrast Ratio: 600 : 1
- LCD Color: 262K
- Pixel Pitch (mm): 0.213 (H) x 0.213 (V)
- Viewing Angle (H-V): 150 / 130
- Backlight MTBF: 30000 hrs (LED Backlight)

Touch

- Resistive 5-wire Touch for CV-108R Only
- Projected Capacitive Touch for CV-108C Only

Environment

- Operating Temperature: Ambient with air flow:
CV-108R: -20°C to 70°C
CV-108C: -20°C to 70°C
(with Industrial Grade Peripherals)
- Storage Temperature:
CV-108R: -30°C to 80°C
CV-108C: -20°C to 70°C
- Relative Humidity:
CV-108R: 80% RH @ 60°C (non-condensing)
CV-108C: 85% RH @ 60°C (non-condensing)
- IP Level: IP 65 Compliant Front Panel

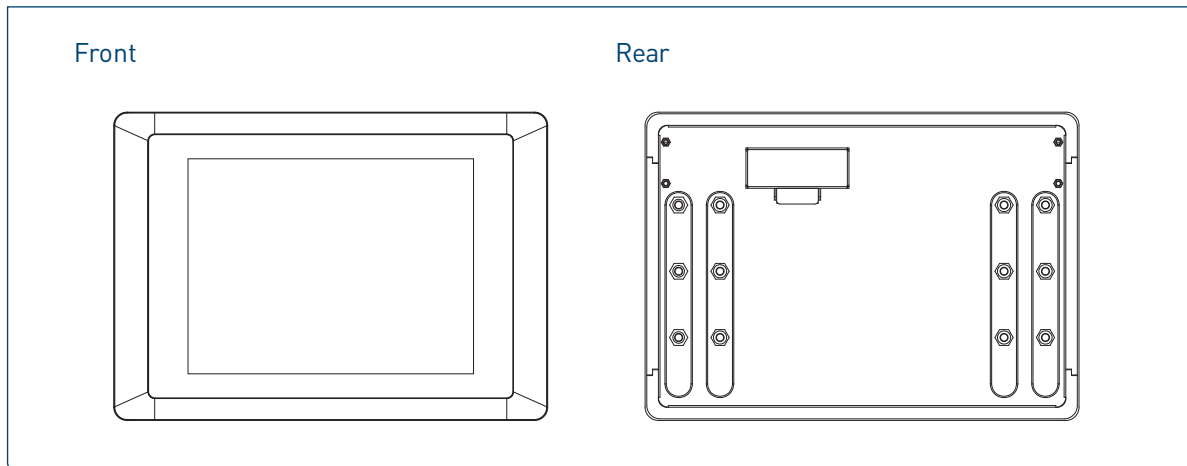
Physical

- Dimension (WxDxH, mm): 262 x 186.2 x 56.2 mm
- Weight: CV-108R: 1.62 kg
CV-108C: 1.56 kg
- Construction Front Panel: Die-cast Flat Surface

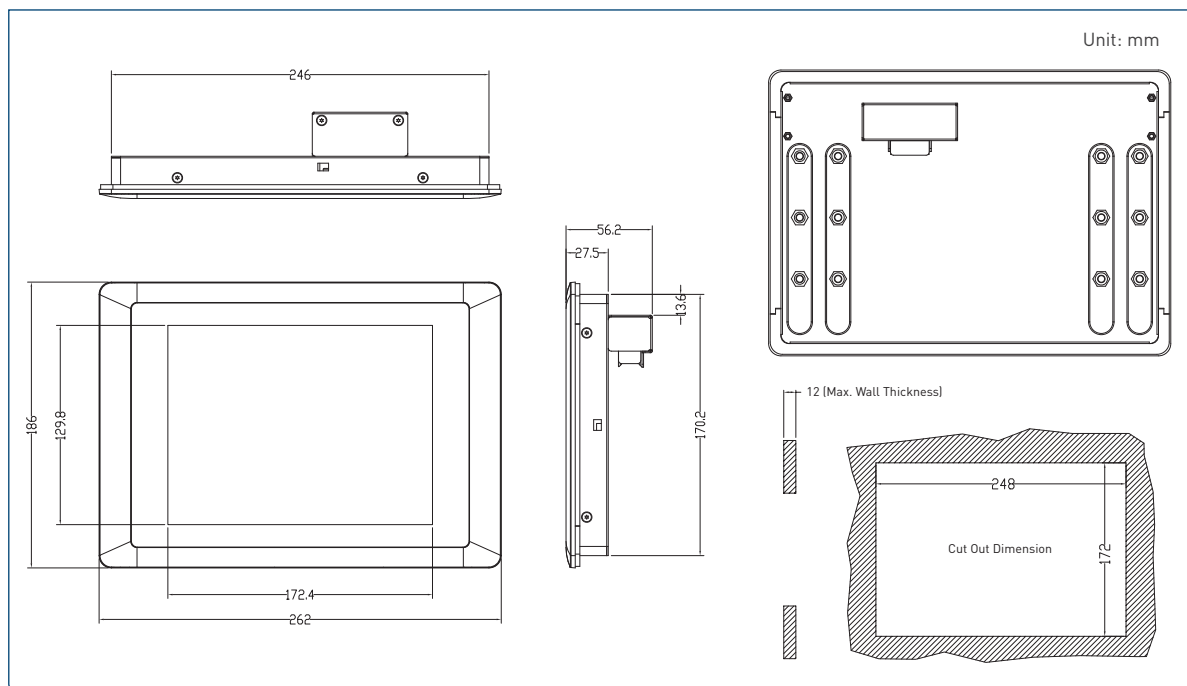
Certification

- CE
- FCC Class A

External Mechanical Layout



Dimensions



Ordering Information

Available Models

Model No.	Product Description
CV-108R	8.4" TFT SVGA 4:3 Display Module with Resistive 5-wire Touch
CV-108C	8.4" TFT SVGA 4:3 Display Module with Projected Capacitive Touch

Package Checklist

- CV-108 Display Module x 1
- Panel Mounting Kit x 4